

DOSING PUMPS SERIES G™ B



Flow rate up to 1200 l/h - Pressure up to 8 bars
Mechanically actuated diaphragm
Variable eccentric drive mechanism

Main technical characteristics

- Flow rate up to 1200 l/h
- Pressure up to 8 bars
- High-efficiency, rolling PTFE diaphragm, Profil+®
- Mechanically actuated diaphragm
- Stroke adjustment by variable eccentric ensuring a flow with low pulsing (no hydraulic shocks)
- Simplex version
- Maximum temperature of pumped fluid: 50 °C⁽¹⁾
- Adjustment of flow rate while running or stopped: from 0 to 100%
- Accuracy of rated flow: ± 2% in the range of 10% to 100%
- Max. suction lift: up to 2.5 m water⁽¹⁾
- Maximum suction pressure: 1 bar⁽¹⁾
- Cast aluminium housing with polyurethane RAL 1018 - 45 µ paint
- Lubrication by oil bath

(1) Above, please consult



Electrical characteristics of motors

General characteristics

- Power supply: 230/400 V - 50 Hz - 3-phase
- Degree of protection: IP55, tropicalized for 90% humidity
- Insulation: class F
- Motor mounting flange F130, shaft-end 14 x 30, frame 71
- In compliance with European and international standards
- Special motors: consult us

Accessories

To meet your installation needs (long lengths of discharge, discharge pressure < 1.5 bar...) a large range of accessories is available on request (pulsation dampeners, safety and back pressure valves), consult us.

Construction of liquid ends

Liquid end components	Versions/ Polypropylene (PP)	PVDF	S. Steel (316L)
Liquid end body	PP	PVDF	316L
Valve body	PVDF ⁽⁴⁾	PVDF	316L
Seats	PE	PVDF	316L
Balls	Glass ⁽¹⁾	Ceramic ⁽³⁾	316L
Connections	PVC	PVDF	316L
Diaphragm	PTFE/PP ⁽²⁾	PTFE/PVDF ⁽²⁾	PTFE/316L ⁽²⁾
Seals	Viton	Viton / FEP	Viton ⁽³⁾

⁽¹⁾ PVC for versions > 430 l/h

⁽²⁾ Diaphragm insert on pumped fluid side

⁽³⁾ PTFE for versions > 430 l/h

⁽⁴⁾ PP for versions > 430 l/h

Other liquid end construction:

- *Polyelectrolyte* version: PP liquid end with seats and balls in 316L S.S. and Hastelloy C springs.
- *Slurries* version: Up to 430 l/h - 316L S.S. liquid end with 440C balls, 316L S.S. seats and Viton seals / Above 430 l/h - 316 L S.S. liquid end with 440C balls, 420 seats and PTFE seals.
- *Mixed PP/316L S.S.* version: Up to 430 l/h - PP liquid end with balls and seats in 316L S.S. and PVDF ball guide / Above 430 l/h - PP liquid end with balls and seats in 316L S.S.
- *Concentrated H₂SO₄* version: Up to 430 l/h - 316L liquid end with Alloy 20 seats, balls in Hastelloy C and Viton seals / Above 430 l/h - 316L liquid end with balls and seats in Alloy 20 and PTFE seals.

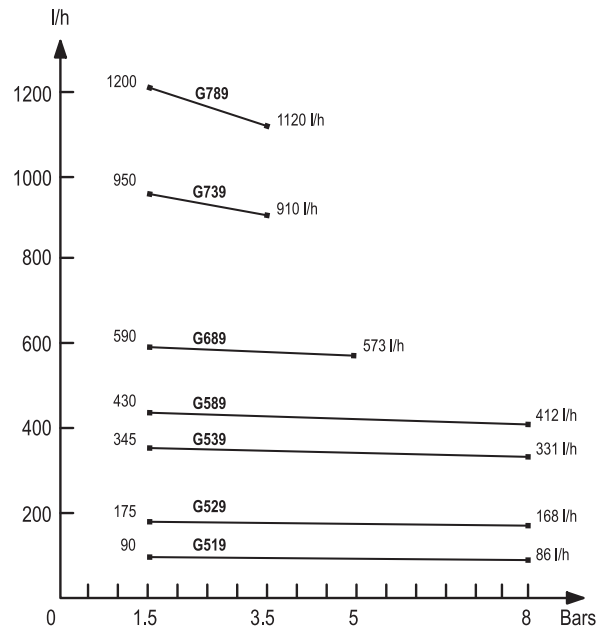
Performances

Type	Flow max (l/h) (1)(2)	Pressure max (bars)	Stroke length (mm)	Stroke speed (spm) (2)	Motor speed (rpm) (2)	Motor power (W) ⁽³⁾ 3ph
G51	90	8	12	36	1500	0.37
G52	175	8	12	72	1500	0.37
G53	345	8	12	144	1500	0.37
G58	430	8	12	180	1500	0.37
G68	590	5	12	180	1500	0.37
G73	950	3.5	12	144	1500	0.37
G78	1200	3.5	12	180	1500	0.37

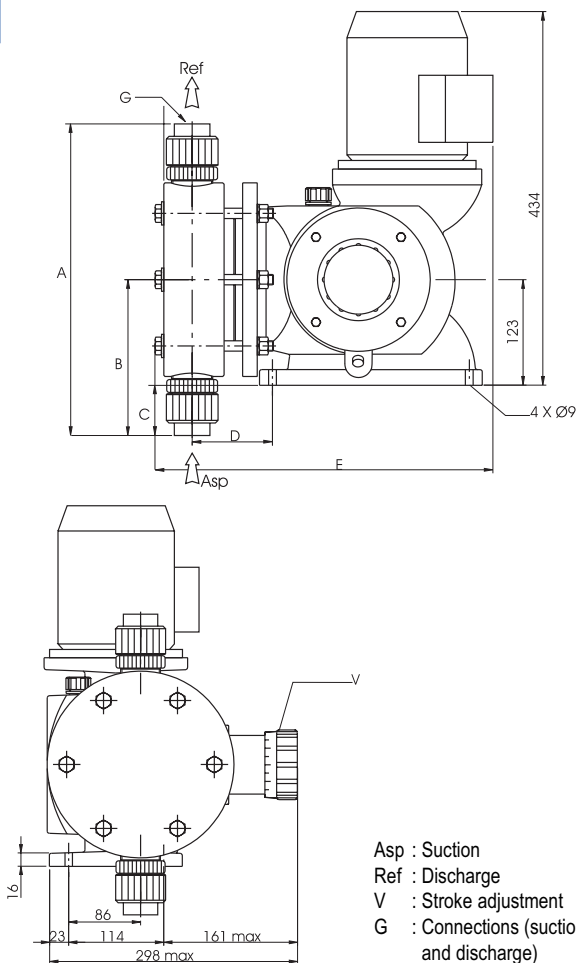
(1) Max flow at 1.5 bar

(2) Values with motor at 50 Hz (multiply by 1.2 for 60 Hz)

(3) Power supply at 50 Hz or 60 Hz with 3 phase motor



Dimensions and connections



Asp : Suction
 Ref : Discharge
 V : Stroke adjustment
 G : Connections (suction and discharge)

Dimensions (mm)

Type	PP	PVDF	316L S.S.
G51 G52 G53 G58	A	254	262
	B	127	131
	C	5	8
	D	65	65
	E	341	341
	G (tube)	DN15 (15 x 20)	F1/2" G
G68	A	286	296
	B	143	148
	C	21	25
	D	76	76
	E	372	372
	G (tube)	DN25 (25 x 32)	F1" G
G73 G78	A	362	372
	B	181	186
	C	58	63
	D	93	93
	E	392	391
	G (tube)	DN25	F1/2" G

Weight and packing

	Net weight ⁽¹⁾ kg	Gross weight ⁽¹⁾ kg	Packing ⁽²⁾ (LxH)
Minimum (plastic liquid end)	32	40	635x432x737
Maximum (S. Steel liquid end)	40	48	635x432x737

(1) Approximately - (2) Standard cardboard packing



FRANCE - DOSAPRO MILTON ROY S.A.
 10, Grande Rue - 27360 Pont Saint Pierre
 Tél. : +33 (0)2 32 68 30 00 - Fax : +33 (0)2 32 68 30 93
 http://www.dosapro.com - Telex : 180 345F
 e-mail : contact@dosapro.com

ESPAÑA - DOSAPRO MILTON ROY IBERICA
 C/Embajadores, 100 - 28012 MADRID
 Tél. : +34 91 517 80 00 - Fax : +34 91 517 52 38
 http://www.dosapro.es

UNITED KINGDOM - MILTON ROY (UK) LTD
 Oaklands Business Centre - Oaklands Park
 WOKINGHAM - BERKSHIRE - RG41 2FD
 Tel : +44 118 977 1066 - Fax : +44 118 977 1198
 http://www.miltonroyumps.co.uk

INTERNATIONAL SALES and PROJECTS DEPARTMENT
 10, Grande Rue - 27360 Pont Saint Pierre (France)
 Tél. : +33 (0)2 32 68 30 12 - Fax : +33 (0)2 32 68 30 91 - Téléc : 180 345F

SPARE PARTS DEPARTMENT/PIÈCES DE RECHANGE
 10, Grande Rue - 27360 Pont Saint Pierre (France)
 Tél. +33 (0)2 32 68 30 01 - Fax: +33 (0)2 32 68 30 92 - Téléc : 180 345F

INTERNATIONAL TECHNICAL ASSISTANCE/ASSISTANCE TECHNIQUE
 10, Grande Rue - 27360 Pont-Saint-Pierre (France)
 Tel : +33 (0)2 32 68 30 02 - Fax : +33 (0)2 32 68 30 92 - Téléc : 180 345F

DOSAPRO MILTON ROY EN FRANCE :
 Angers, Bordeaux, Lille, Lyon, Nancy, Paris, Rouen