

DOSING PUMPS SERIES G™ A, PLUNGER LIQUID END



- Flow rate from 0.55 l/h up to 5.4 l/h - Pressure up to 200 bar
- Packed plunger liquid end
- Variable eccentric drive mechanism

Main technical characteristics

- Flow rate up to 5.4 l/h
- Pressure up to 200 bar
- Stroke adjustment by variable eccentric ensuring a flow with low pulsing (no hydraulic shocks)
- Maximum temperature of pumped fluid: 50 °C
- Adjustment of flow rate while running or stopped: from 0 to 100%
- Accuracy of rated flow: $\pm 2\%$ in the range of 10% to 100%
- Max. suction lift: up to 4 m water
- Maximum suction pressure: 20 bar
- Casing in corrosion resistant glass fibre reinforced by thermoplastical material
- Life lubricated
- Option: automatic flow control (Motor Controller or frequency variation)
- Packing ring (PTFE)
- Application: clear products



Accessories

Pulsation dampeners, safety or back pressure valve, consult us.

Electrical characteristics of motors

- General characteristics:
Power supply:
 - 230/400 V - 50/60 Hz - 3-phase
 - 230 V - 50 or 60 Hz - single-phase
 - 115 V - 50 or 60 Hz - single-phase
- Degree of protection: IP55, tropicalized, insulation: class F
- In compliance with European and International standards
- Options: motor mounting F130-shaft end 14x30; explosion-proof motors: consult us.

Construction of liquid ends

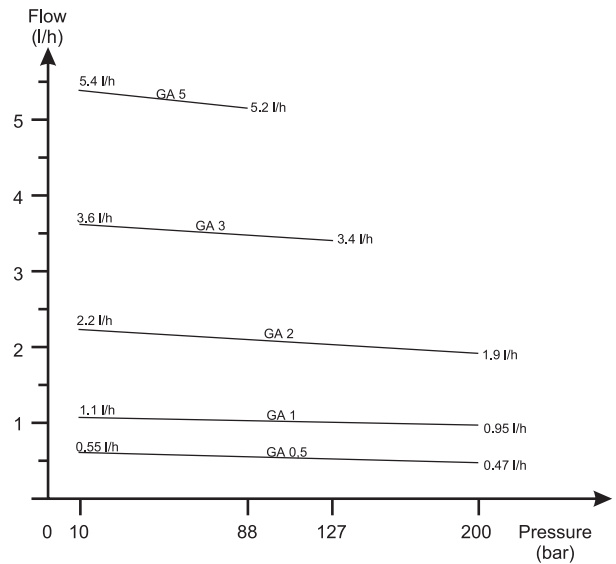
Liquid end components	S. Steel (316L)
Liquid end body	316L
Valve body	316L
Seats	316L
Double Balls	Hastelloy C
Connections	316L
Plunger	316 L chrome oxyde cr20 coated
Packing ring	PTFE

Performances

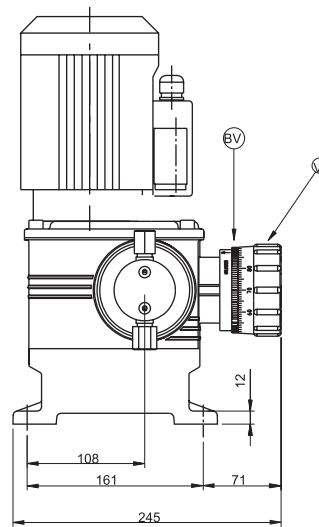
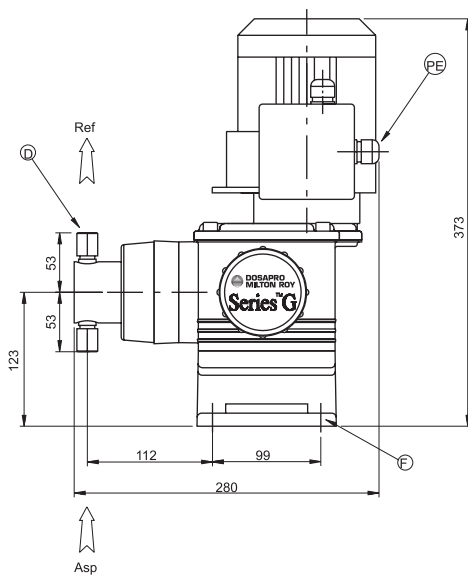
Type	Flow max (l/h) (1)(2)	Pressure max (bar)	Plunger Ø (mm)	Stroke Lenght (mm)	Stroke speed (spm) ⁽²⁾	Motor speed (rpm) ⁽²⁾	Motor power (W) 1 ph. 3 ph.
GA 0.5	0.55	200	8	6	36	1500	180 90
GA 1	1.1	200	8	6	72	3000	180 60
GA 2	2.2	200	8	6	144	3000	180 60
GA 3	3.6	127	10	6	144	3000	180 60
GA 5	5.4	88	12	6	144	3000	180 60

(1) Max flow at 10 bar

(2) Values with motor at 50 Hz (multiply by 1.2 for 60 Hz)



Dimensions and connections



Connections :

- Threaded socket 1/4" BSP Female
- Threaded socket 1/4" NPT Female

Asp : Suction
 Ref : Discharge
 V : Stroke adjustment
 BV : Stroke adjustment locking
 PE : Motor gland
 F : 4 holes Ø 9
 D : Connections

Weight and packing

Net weight ⁽¹⁾ kg	Gross weight ⁽¹⁾ kg	Packing ⁽²⁾ (LxH)
8	9.5	336x336x414

(1) Approximately - (2) Standard cardboard packing



FRANCE - DOSAPRO MILTON ROY S.A.
 10, Grande Rue - 27360 Pont Saint Pierre
 Tél. : +33 (0)2 32 68 30 00 - Fax : +33 (0)2 32 68 30 93
<http://www.dosapro.com> - Telex : 180 345F
 e-mail : contact@dosapro.com

ESPAÑA - DOSAPRO MILTON ROY IBERICA
 C/Embajadores, 100 - 28012 MADRID
 Tél. : +34 91 517 80 00 - Fax : +34 91 517 52 38
<http://www.dosapro.es>

UNITED KINGDOM - MILTON ROY (UK) LTD
 Oaklands Business Centre - Oaklands Park
 WOKINGHAM - BERKSHIRE - RG41 2FD
 Tél. : +44 118 977 1066 - Fax : +44 118 977 1198
<http://www.miltonroypumps.co.uk>

INTERNATIONAL SALES and PROJECTS DEPARTMENT
 10, Grande Rue - 27360 Pont Saint Pierre (France)
 Tél. : +33 (0)2 32 68 30 12 - Fax : +33 (0)2 32 68 30 91 - Telex : 180 345F

SPARE PARTS DEPARTMENT/PIÈCES DE RECHANGE
 10, Grande Rue - 27360 Pont Saint Pierre (France)
 Tél. +33 (0)2 32 68 30 01 - Fax: +33 (0)2 32 68 30 92 - Télex : 180 345F

INTERNATIONAL TECHNICAL ASSISTANCE/ASSISTANCE TECHNIQUE
 10, Grande Rue - 27360 Pont-Saint-Pierre (France)
 Tél : +33 (0)2 32 68 30 02 - Fax : +33 (0)2 32 68 30 96 - Télex : 180 345F

DOSAPRO MILTON ROY EN FRANCE :
 Angers, Bordeaux, Lille, Lyon, Nancy, Paris, Rouen

